



GS3 User Manual – All Models

Introduction

Congratulations on your purchase of the Woodside Guitars Guitar Support.

Your decision to invest in this fine accessory is emblematic of your commitment to improving and perfecting the mastery of your instrument. The Woodside guitar support is the most configurable of any guitar support device. The product offers the possibility to achieve almost any playing position, regardless of body size or shape, allowing you to realize the playing position that best suits you.

The Woodside guitar support was designed with the aim of enabling greater intimacy between the artist and the instrument. Furthermore, to do so without sacrificing convenience, or portability. It is truly a bridge between the instrument and the player's body, providing for freedom of movement, healthy posture, and more guitar playing enjoyment.

You will find that, after finding your setup “sweet spot”, the Woodside is a very stable platform for your instrument. Yet even so, the Woodside allows for freedom of movement while playing the instrument. This is provided for by carefully considered pivot points – the guitar retains the set height and angle, but can still pivot or rock with body movements as you play.

If you have chosen the “LEV” version, you will also enjoy the convenience of “set it and forget it” – easy on, easy off. No need to change adjustments once you’ve got it dialed in (note this is true of the SCR version also, but the attachment and detachment process is going to take a little longer with the need to adjust the cradle clamping screw each time).

Whatever reason that compelled you purchase the Woodside, you will not be disappointed. Perhaps you are looking for ways to reduce back pain, or other bodily stresses that can arise from long practice sessions. Or maybe you are looking for the guitar support that provides improved

ergonomics, allowing you to achieve your best performance. Maybe you want to experiment and find out what that ideal position is, or maybe you even like to change the position sometimes.

It is well established that reduction of tension is a key to achieving a fluid and beautiful playing style. Our goal is to provide the product that can most help you achieve that.

Getting the Most from the Product

We encourage you to approach your journey with your instrument and the Woodside Guitars guitar support with patience and curiosity. There are many adjustments designed into this product, all of which you will find necessary at some point. Basic setup is fairly simple, and that's enough to get you started playing.

Soon you will want to explore different settings based on angle and height positions. It is possible to set up your guitar into a position that might not be achievable with a footstool or other similar purposed

device. So we suggest experimenting – maybe you will find your ideal playing position had not yet been discovered.

The time spent at this stage patiently exploring will be well rewarded. It is your new link between yourself and the guitar.

Once you've got a setup you like, there's no need to change anything. Just take the support off when you're finished playing (to protect the guitar's finish), and pop it back on with the start of your next session. Reliable, quick and easy.

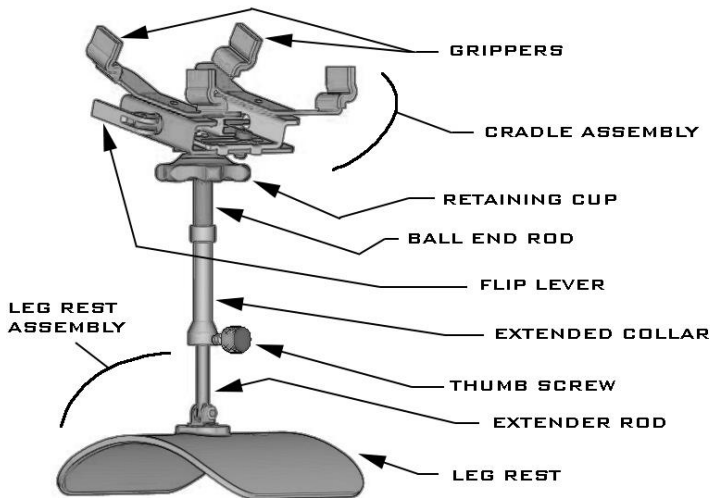
Accessories – Note that while the standard product comes with everything needed to suit most players, there are playing styles and positions, body shapes, and so on that call for even more flexibility. Note that Woodside accessories are available from your dealer that provide for greater lift, or greater angle variation between the cradle and the support pillar. Contact your dealer or check our website to learn more.

Parts of the Woodside Guitar Support

Please see the illustration opposite page to become familiar with the basic product as well as the names of some key components.

In case there is some question or issue with your guitar support, it will help your dealer to better assist you if the parts are referred to by name.

Below is a view of the overall product, with key components labeled.

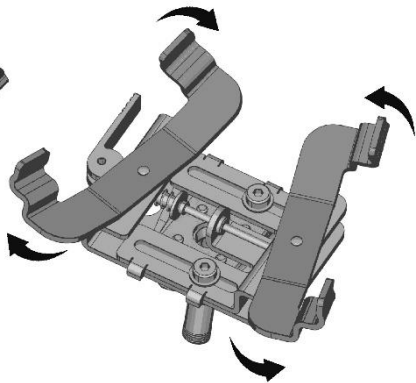
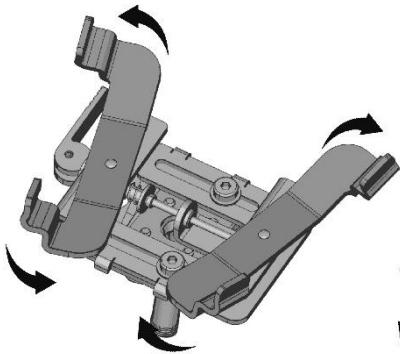


Pivoting Grippers

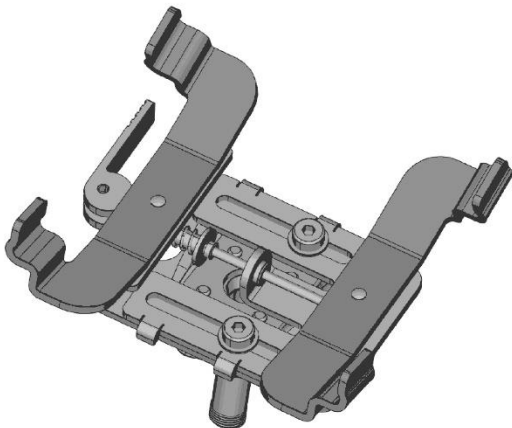
The Woodside Guitar Support is equipped with unique pivoting grippers. This special feature provides for essentially equal gripping force on all four contact points, regardless of the body depth at the point of contact. This provides reliable gripping while minimizing clamping forces.

A unit fresh from the factory may feel a little stiff insofar as this pivoting action. This is totally normal, as the mechanism is designed to be firm and “wear in” over time.

It is helpful loosen up this action a bit with a new unit, by working the grippers back and forth a few times, as shown in the illustration below.



After doing the above, return the gripper position to the “normal” position as shown below (or canted slightly if the guitar has an angled body).



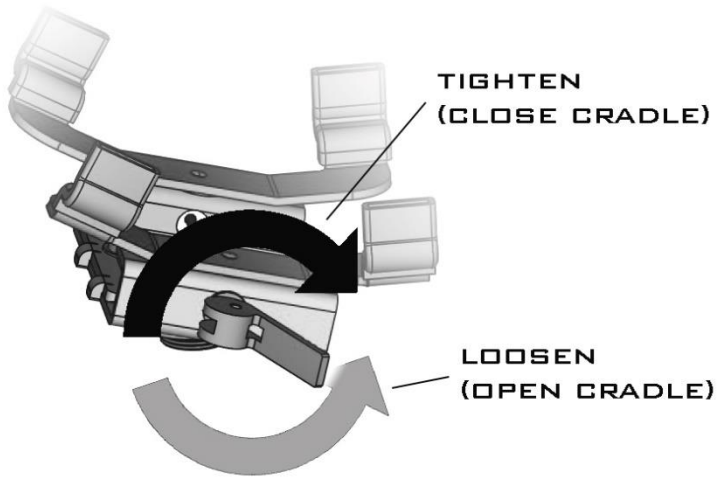
Helpful Hint – Be aware that the clamping force needed to secure the instrument is likely to be much less than imagined. The most effective approach is to use as little clamping force as necessary. Only increase it slightly if the guitar slips off under light force. Avoid over-tightening. If the cradle is clamped too tightly, it may actually result in the guitar being expelled (pushed out) of the cradle.

Adjusting the Cradle Width

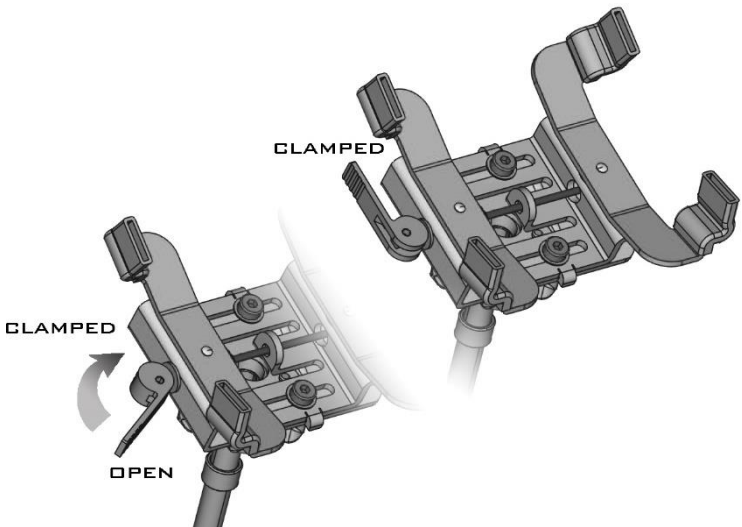
Follow the diagrams below and the instructions for best results. These diagrams show the -LEV version; the SCR version is much the same except there is only the rotation of the cradle clamping screw to set (no lever locking).

First note the position of the Lever between the open and closed (unclamped and clamped) positions. For best results, adjusting for the size (depth) of the guitar body is done only when the Lever is in the open position.

See the diagram below which indicates screw (LEV or SCR) rotation direction to close or open the cradle gripper with as needed.



Next, note how the Lever is actuated to affect the final closing width, providing the final clamping action onto the instrument.



The cradle will clamp 1.5-2 mm between the open and closed positions. Proper setting will allow the cradle to easily be placed onto the instrument (or removed) in the open position, and provide ample clamping force when closed (clamped).

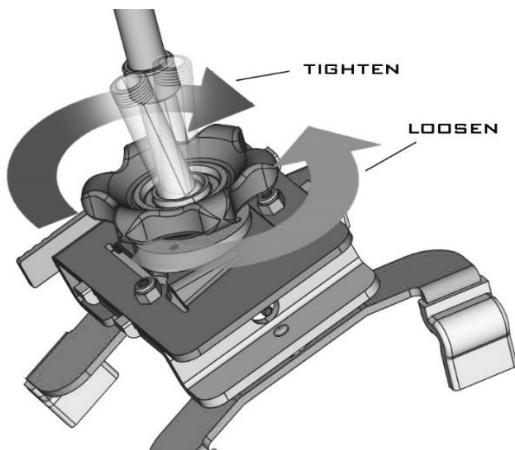
For a first-time setup, it might be necessary to work this action a couple of times to get everything into alignment. Once set, it will be the same every time for the particular instrument.

TIP – If you have two guitars of different body depths, it is quite easy to find out how many turns of the LEV it takes to go from one guitar to the other, and then reverse that when switching back to the original instrument. The Woodside is very consistent and this trick will work well as a time saver.

Ball and Socket Adjustment

The ball and socket mechanism provides for angular variation in any direction, between the cradle assembly and the support pillar (Ball End Rod and below).

The illustration below is shown looking at the bottom side of the cradle, for sake of clarity.



In actual use, it will be more common to make the adjustment while holding the instrument in playing position. With the Retaining Cup

lightly tightened, one can move the Support Pillar's angle around (the angle of the guitar, practically speaking) until the desired position is attained. Once in position, the Retaining Cup is tightened firmly to lock the Ball End Rod into position.

TIP – The ball end rod should not be moving once the support is set up. This will be unstable and playing the instrument will be difficult. Therefore, it is by design that the Retaining Cup be firmly tightened. One helpful tip is to use the guitar itself to rotate the “Cradle” part while holding onto the Retaining Cup with the hand. This helps to provide additional leverage. This same technique can be used when loosening the Retaining Cup.

TIP Number Two – It is not necessary to remove or loosen the Retaining Cup unless one is disassembling the Woodside for some reason – such as to stow in the guitar case. For sake of convenience, it's suggested to keep the Retaining Cup fixed into position otherwise.

Height Adjustment

To set the height of the support pillar, loosen the Thumb Screw enough to allow the Extender Rod to slide up/down within the Collar or Ball End Rod. Set the desired height, then tighten the Thumb Screw firmly to lock in the position.



This operation is the same whether using the Standard Collar, the Extended Collar, or even with the Lift Kit accessory.

Note – The thumb screw uses a standard 3mm thread in case a user ever needs to replace it, or wishes to use a different type of thumb screw.

Stowage / Disassembly

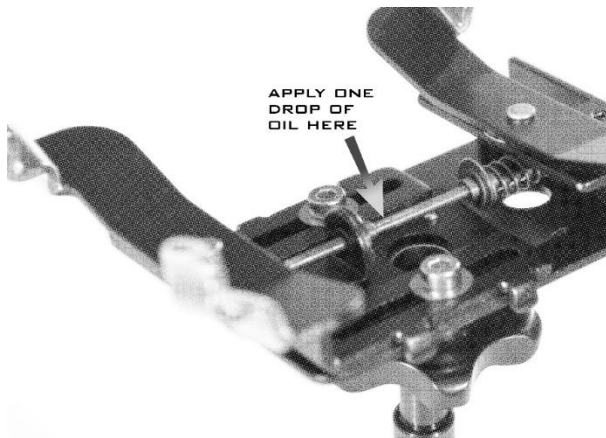
To prepare the Woodside Guitars guitar support for stowage and transport (such as in the guitar case), simply loosen and fully remove the Retaining Cup. The Ball End Rod and Leg Rest assembly are now separate from the cradle. The Leg Rest platform to flatten out the assembly, and the cradles and leg rest assembly can now be stowed in a compact, easily transported form.

Maintenance

Some minor maintenance of your Woodside guitar support can help extend its life for many years and keep it operating smoothly. Please note the following:

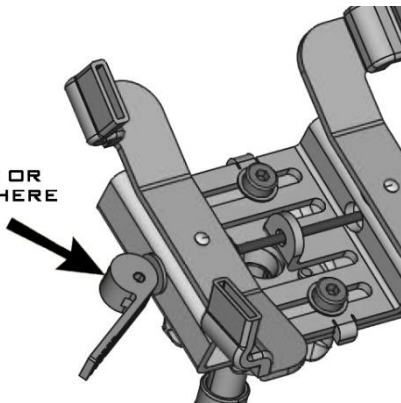
*Lead Screw / Adjusting Screw – **Note that this is especially important for the SCR version**, since the adjusting screw receives a lot of movement and potential for wear with this model.*

Apply one drop of general purpose lubricant (engine oil or household oil; WD-40 is not recommended) on the threads, and work the screw in and out of the threaded bushing to coat the bushing with the lubricant. Remove excess with a clean cloth.



Lever Contact / Wear Surface – While not absolutely necessary, one might rub a little wax on this surface, where the cam action of the Lever pushes against the brass washer.

**APPLY WAX OR
DRY LUBE HERE**

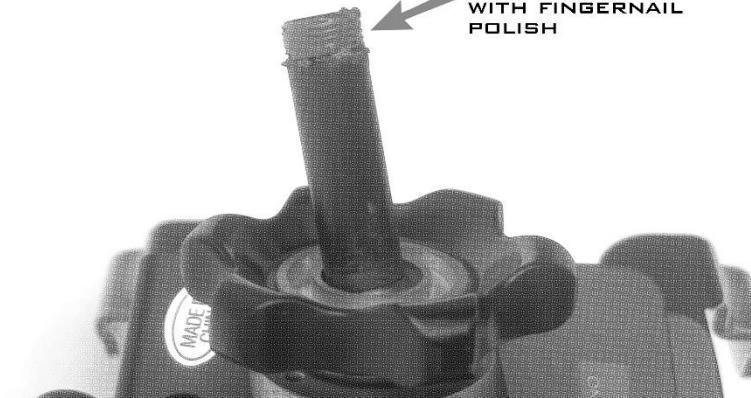


Ball End Rod Threads – To increase damping of cradle-leg rest ROTATION. The Woodside guitar support can pivot with relation of the cradle (guitar) to the leg rest. This is accomplished by the fine threads of the Ball End Rod inserted into the Collar, or Long Collar. Be sure to thread the fitting fully, but not to bottom out the threads, and this will allow for rotation and still keep the fitting adequately strong.

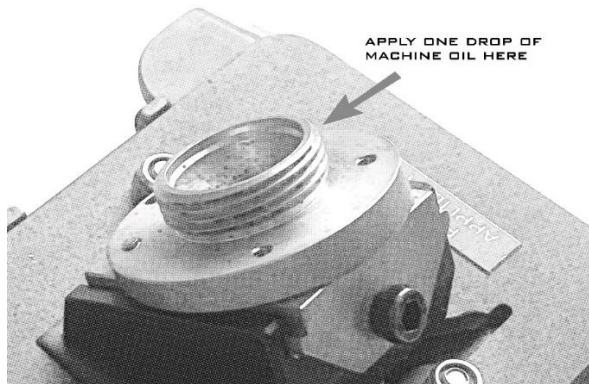
Over time this rotation may become too easy or loose, and the original “damped” feeling of rotation is desired. This can be restored by simply unthreading the Ball End Rod, and applying some fingernail polish to the threads.

Let the fingernail polish harden (30 minutes or so) and reassemble the Ball End Rod into the Collar by threading it clockwise. It will once more have the “damped” feeling.

**COAT THREADS
WITH FINGERNAIL
POLISH**



Retaining Cup Threads – It can help make Retaining Cup to tighten/loosen more easily to put a very small amount of machine oil on the threads about once per year. If the threads are dirty, wipe them off with a tissue or soft cloth first. Then add a single drop of oil on the threads, wiping away any excess.



Additional Customization / Settings

Leg Rest to Extender Rod Pivot Joint – Some users will like the leg rest to be firm and resistant to pivoting, and others may like it to be very loose. This can be adjusted.

By tightening or loosening the Leg Rest to Extender Rod bolt, one can make this more easily or more firmly resistant to pivoting. This will require a 2.5mm hex wrench, and a 5.5 mm wrench for the nut. Only slight adjustments are necessary. (Note – these small tools are included with the HLK-2 accessory, but available at most hardware suppliers

Thumb Screw – Some users may wish to substitute the stock Woodside thumb screw with another type for their own reasons (for example a larger grip). This is possible by using an aftermarket thumb screw having a 3mm standard thread.

Frequently Asked Questions – Our website has a document of FAQs that can be helpful if the user is experiencing any issues. The list gets updated occasionally, so please check that as a first resort if you are having some difficulty or have questions not answered in this manual.

www.woodsideguitars.com